

PM 57.5 SP



truck mounted cranes



Gold Series

DESCRIPTION TECHNICAL FEATURES

Up to 9 hydraulic extensions, PM 57.5 SP series ensure high performance, maximum efficiency and high level of reliability. **Articulation with the exclusive PM link system**, increase the crane efficiency. The crane can operate with same performance and constant outreach, in every vertical configuration of the crane. The **New Power Tronic Advance Plus** and the **new radio remote control with display** ensure extreme precision and high safety. **Maximum stability** thanks to XL outriggers (6,6 m) or XXL (8 m). 15° negative angle on secondary boom to work in narrow spaces with maximum flexibility. 385° rotation angle increases the crane productivity and with time saving.

STANDARD EQUIPMENT

POWER TRONIC ADVANCES PLUS

Maximum crane performance, maximum safety in every working condition

RACK AND PINION

HYDRAULIC OUTRIGGER BOOMS

EXTENSION SEQUENCE BOOMS

SLEWING LOCK VALVE

MULTIFUNCTION RADIO REMOTE CONTROL

PROPORTIONAL HYDRAULIC CONTROL VALVE BLOCK COMPENSATED

ELECTRONIC MOMENT CONTROL DEVICE

DOUBLE LINKAGE

PM 57.5 SP



truck mounted cranes

OPTIONAL

JIB

HYDRAULIC WINCH ON CRANE

HYDRAULIC WINCH ON JIB

HOSE REEL/HOSE TRAYS

180° HYDRAULIC SWING UP
OUTRIGGERS

EQUIPMENTS SUMMARY

EQUIPMENTS	Standard	Optional
Rack and Pinion	O	
Double linkage	O	
Hydraulic outrigger booms	O	
Remote controlled stabilizers (MCS System)*		O
180° Hydraulic swing up outriggers	O	
Extension sequence booms	O	
Oil cooler	O	
Proportional hydraulic control valve block compensated	O	
Radio remote control with display	O	
Regenerative valve		O
Jib		O
Hydraulic winch on crane		O
Hydraulic winch on jib		O
Hose reel/hose trays		O
Stability Power System*	O	
Safety Kit for outriggers*		O
Ball-joint outrigger plates *		O
4 metres alarm sensor with control panel in cab *	O	
Slewing limiter	O	
LMU Device: control system for manual extensions*		O
LED work lamp		O
Top seat with radio control support		

* Compulsory for totally CE configurations



In accordance to the EU safety standards



Certified quality management system
UNI ISO 9001:2008



In accordance to HD5S2 standard



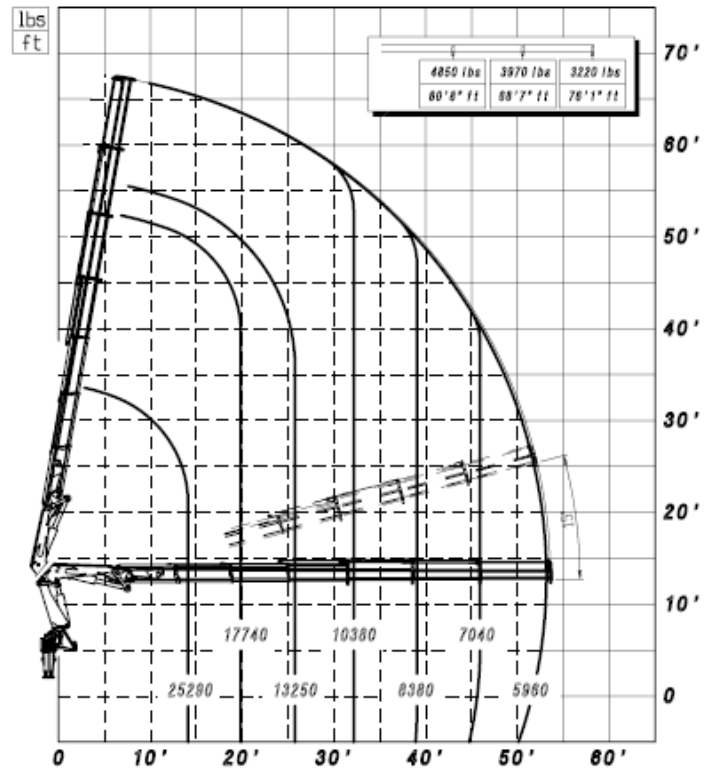
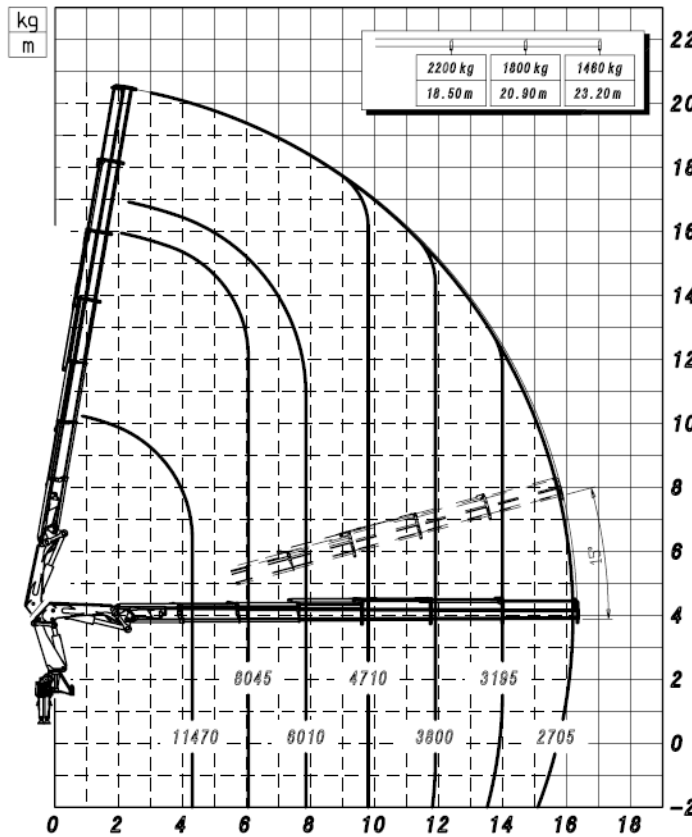
3 years of warranty on the structural parts

PM 57.5 SP



truck mounted cranes

PM 57526 SP



Gold Series

TECHNICAL DATA PM 57526 SP

Maximum lifting moment	tm 49,3	Ftlbs3567 40
Hydraulic outreach		
Horizontal	m 16,35	Ft 53'8"
Vertical	m 20,70	Ft 67'11"
Hydraulic system		
Max. oil flow	l/min 80 ÷ 100	21 ÷ 26
Max. pressure	Mpa 33,5	Psi 4860
Oil tank capacity	l 200	53
Slewing system		
Slewing angle	385°	385°
Slewing torque	kNm 62	45730
Max. working heel	%(°) 8,7(5)	8,7(5)
Standard crane weight		
Empty oil tank	Kg 5565	lbs12270

TRUCKING CRANE COMBINATION

PTT/GVW	57,5	4	4 outriggers
26,0 TON	4		
32,0 TON	4		

GVW: Gross Vehicle Weight

TECHNICAL DATA, DESCRIPTIONS AND ILLUSTRATIONS ARE MERELY INDICATIVE AND NOT BINDING. PM GROUP RESERVE THE RIGHT TO UPDATE THEM WITHOUT NOTICE.

PM 57.5 P



truck mounted cranes

DIMENSIONS

Standard crane

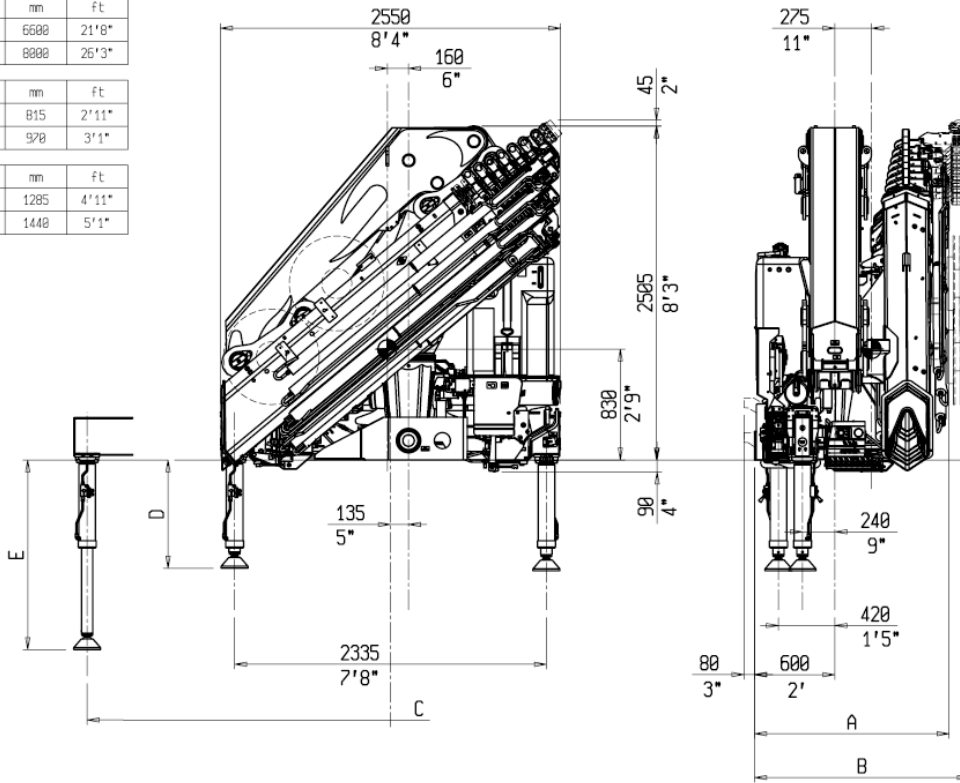
C	mm	ft
XL	6600	21'8"
SXL	8800	26'3"

D	mm	ft
Fix.	815	2'11"
Rot.	970	3'1"

E	mm	ft
Fix.	1285	4'11"
Rot.	1448	5'1"

A	mm	ft
Vers.26	1430	4'8"

B				
	mm	ft	mm	ft
Vers.26	1575	5'2"	----	----



ORIGINAL PM PARTS

ACCESSORIES*



Variable pump



PTO



Fixed pump



Clamshell Buckets



Cross Beams for car lifting



Pallet forks



Swivel Hooks



Augers



Supplementary Outrigger



Log Grabs



Operator Baskets and Self-Levelling Platforms



Hydraulic Grapples



Hydraulic Rotors



Brick Grabs

* The installation is to be verify in relation to crane and truck configuration

Gold Series