



PM Group SpA - IT - 41018 S. Cesario Sul Panaro MO - Via G. Verdi 22 - tel. +39 059 936811 - fax +39 059 936804
info@pm-group.eu - www.pm-group.eu



Platinum Series

PM 100 SP



PM 100 SP. The future is now.

PM 100 SP.

We have reduced its weight and overall dimensions to make it great.

Great performance, great safety, great innovation.



More powerful! More compact! More lightweight!

Thanks to its new design height and width of the crane is considerably reduced even with the fly jib fitted. It is more compact and more functional!

The implementation of the last generation highest grade tensile steel results in a considerable reduction of the crane weight and a massive increment of your truck's payload.

The extension booms new octagonal profile increases the loading performance and minimizes dangerous "fishing can" oscillations effects. PM 100 SP. The future is now.

2495_{mm}

HEIGHT

2550_{mm}

WIDTH

1835_{mm}

MOUNTING SPACE

+1000_{mm}

AVAILABLE
LOADING SPACE*

8900_{kg}

CRANE WEIGHT**

*Compared with competitors' cranes of similar capacity with integrated base.

**Standard crane with 8 extensions.





Less Oscillations, More Stability and Increased accuracy.

The extension booms are controlled by independent cylinders mounted alternately on the top of the boompack. This reduces the deflection of the extension booms under load, increasing stability, allowing the operator to work with maximum speed and precision.

9100_{mm}

MAXIMUM STABILITY

Unbeatable hydraulic outreach.

The basic crane is available with 4 - 6 - 8 and 9 hydraulic extensions. In addition its fly jib is available with 4 or 6 hydraulic extensions. This grants a total horizontal outreach of 33.55 m and 37.35 m vertically.

33,55_{mt}

HORIZONTAL OUTREACH

37,35_{mt}

VERTICAL OUTREACH

Safety first.

The crane's lifting capacity is constantly electronically monitored in relation to the extended position of the outrigger legs ensuring total operating safety.



Standard equipments.

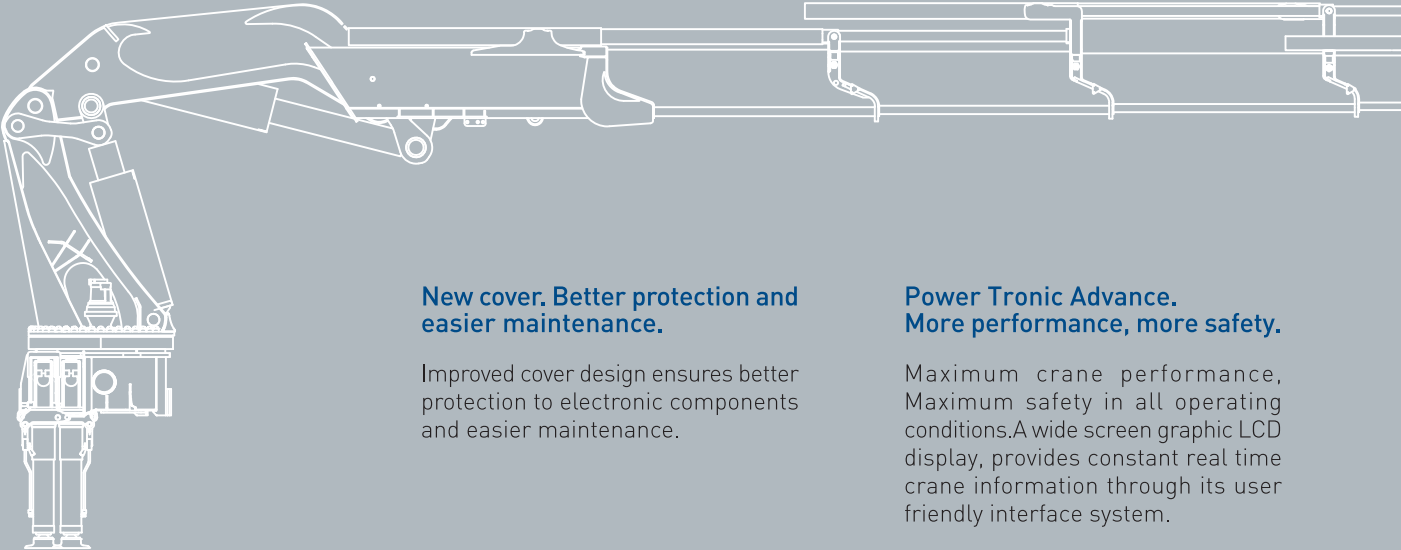
Continuous slewing system for a wider operational radius.

Heavy-duty slewing system is designed for intensive and long life use ensuring constant, safe and efficient operations.



Octagonal extension booms profile. Lighter and stronger.

The octagonal profile maximizes the performance of the high tensile steel extension booms. Thinner thickness profile grants higher loading capacity, lighter boom and crane overall weights without compromising the strength.



New cover. Better protection and easier maintenance.

Improved cover design ensures better protection to electronic components and easier maintenance.

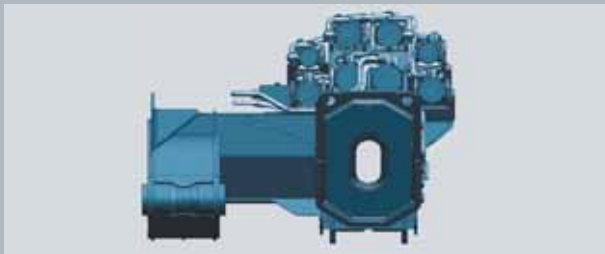
Power Tronic Advance. More performance, more safety.

Maximum crane performance, Maximum safety in all operating conditions. A wide screen graphic LCD display, provides constant real time crane information through its user friendly interface system.



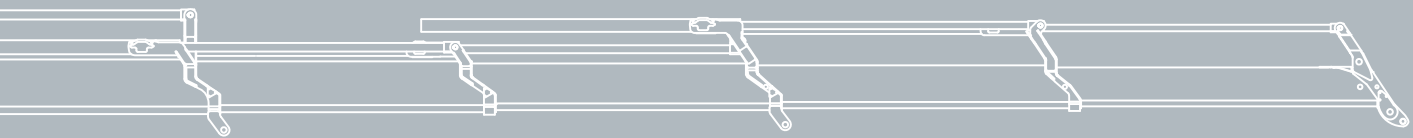
**Shifted mounting position of extension cylinders.
More precision, more speed.**

The extension of the booms is managed by independent extension cylinders. This enables less boom oscillations and greater stability. In other words, you work better, faster and with higher precision.



**Outer boom and fly jib upward angle.
Wider operating radius in constrained working areas.**

Outer boom with extra upwards 15° angle and jibs with extra upward angle of 25°. They minimise unwanted flexions of the hydraulic extensions, ensuring perfect control of the load in every working position. They increase the operating radius in areas where the space is reduced.



**Radio remote controlled outriggers.
Easy to use and safer.**

9.1 m span hydraulic extension outrigger beams with MCS system.



**Balancing valves on both main and outer lift cylinders.
More precision, no oscillations**

A more precise - no oscillation system that ensures a highly accurate linear motion that smooths out any jerk movements on the lift and lower operation.



Option.

Redesigned time saver winch.

A 3500kg single and double pull line winch can be fitted to the basic crane and a 2000 kg winch is available with fly jib. The new wire rope guide in-line system ensures optimal wire rope operations and enables the fly jib to fold in transport position without taking off pulleys, blocks or counterweights. That's why with this redesigned winch the operator saves a great deal of time.

EASY
TO FOLD

SAVES
TIME



180° hydraulic swing up outriggers.

The outrigger cylinders can swing 180° upwards and lock in transportation position. The oversized ball-joint outrigger plates optimize the load pressure on the ground and folds automatically in transport position.

180°

HYDRAULIC
SWING-UP

BETTER
STABILITY



Activation with hose reels or hose trays.

The operation of additional functions such as jibs or other accessories is ensured through hose reels or hose trays. These systems provide hydraulic supply up to the tip of the crane booms, allowing the use of additional accessories to the hydraulic extensions of the basic crane.



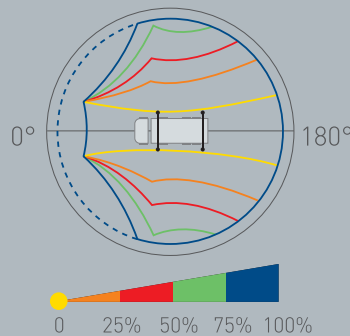
100 SAF

Progressive Stability Control System type 5. Maximum performance, maximum safety.

MAXIMUM
LOAD
CAPACITY

MAXIMUM
SECURITY

The system monitors the vehicle stability in total safety thru build-in CANBUS sensors. The data about stabilizers span and slewing positions are constantly cross-checked. In the "PLUS" versions the vehicle heel angle is also cross-checked. The result is an optimal lifting capacity in all working conditions in constant relation to the real stability of the vehicle.



Equipments

	Standard	Option
Continuous slewing	●	
Double Linkage	●	
Hydraulic outriggers	●	
Oil cooler	●	
Multifunction Radio Remote Control	●	
Proportional compensated load sensing control valve bank	●	
Regenerative extension boom kit	●	
Safety kit for outriggers	●	
Fly jib		●
Crane hydraulic winch		●
Fly jib hydraulic winch		●
Electronic slewing lock valve with variable setting		●
Hose reels		●
Hose trays		●
Hydraulic swing-up outriggers legs		●
Oil tank		●

Accessories.



Variable pump.



PTO.



Supplementary stabilizers with integrated INTERLOCK device

Customised installation.

PM provides consultancy service through our qualified PM Service Centres for the installation and final tuning of your PM 100 SP.

Certification.

EN12999

In accordance to EU safety standards.

3

3 years warranty on the structural parts.

ISO

Quality certification UNI EN ISO 9001:2008

H1B3

In accordance to H1-B3 standard.

PQS

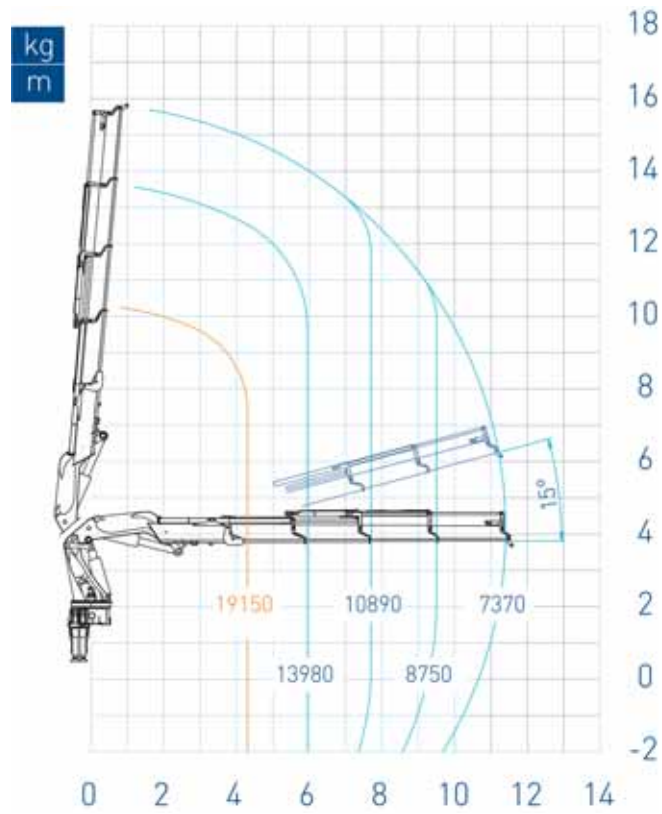
Certified painting system.



Configurations.

Standard Crane

100024 SP



— Maximum capacity from horizontal to vertical.

100026 SP

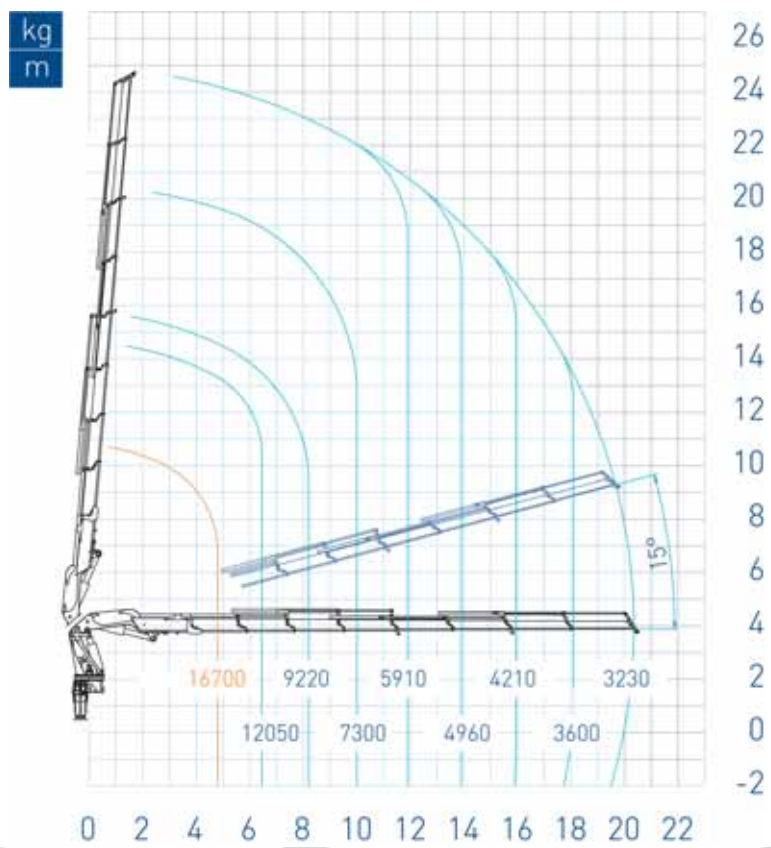


— Maximum capacity from horizontal to vertical.

Configurations.

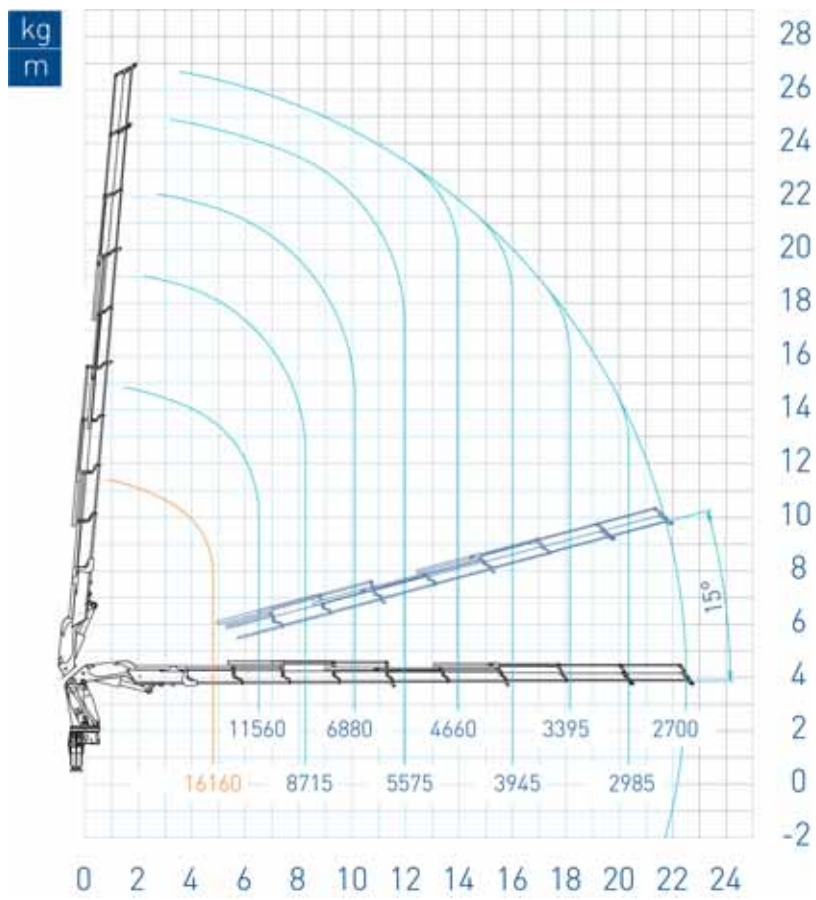
Standard Crane

100028 SP



— Maximum capacity from horizontal to vertical.

100029 SP

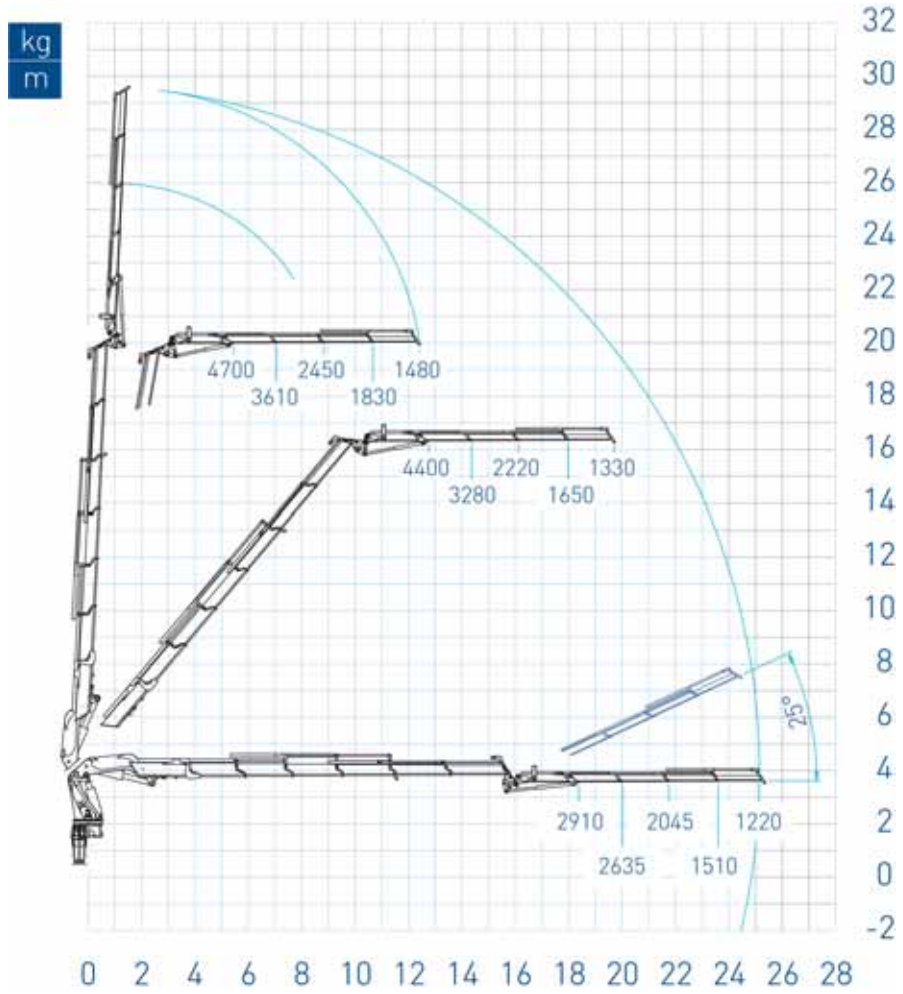


— Maximum capacity from horizontal to vertical.

Configurations.

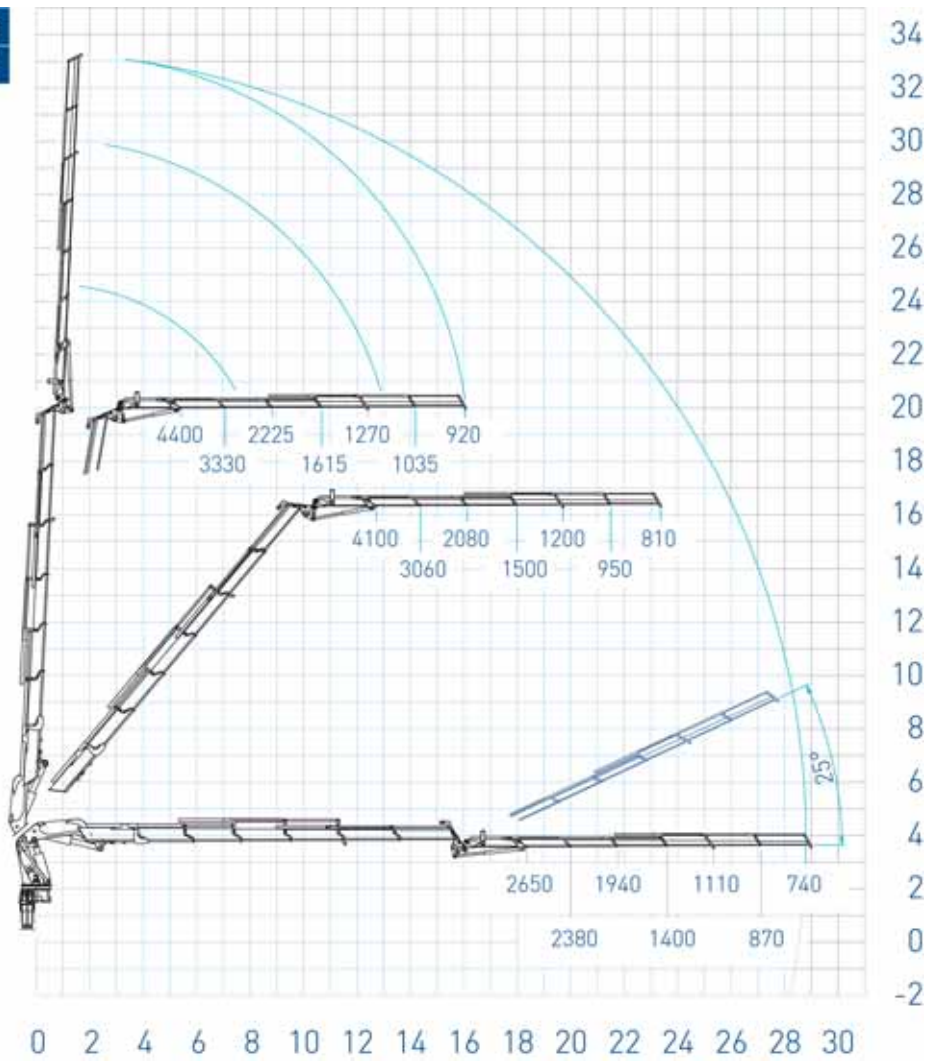
With Jib

100026 SP + J1614.25



100026 SP + J1616.25

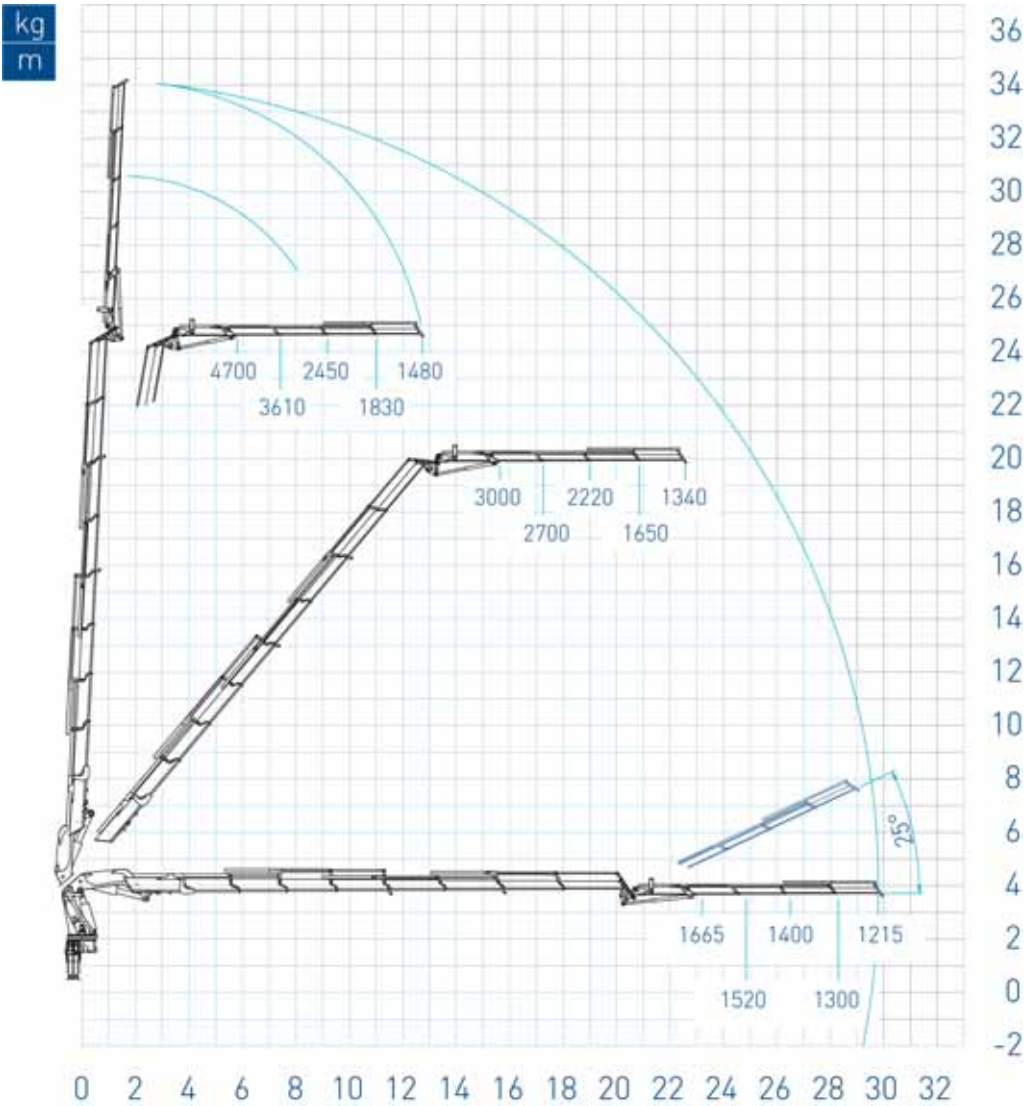
kg
m



Configurations.

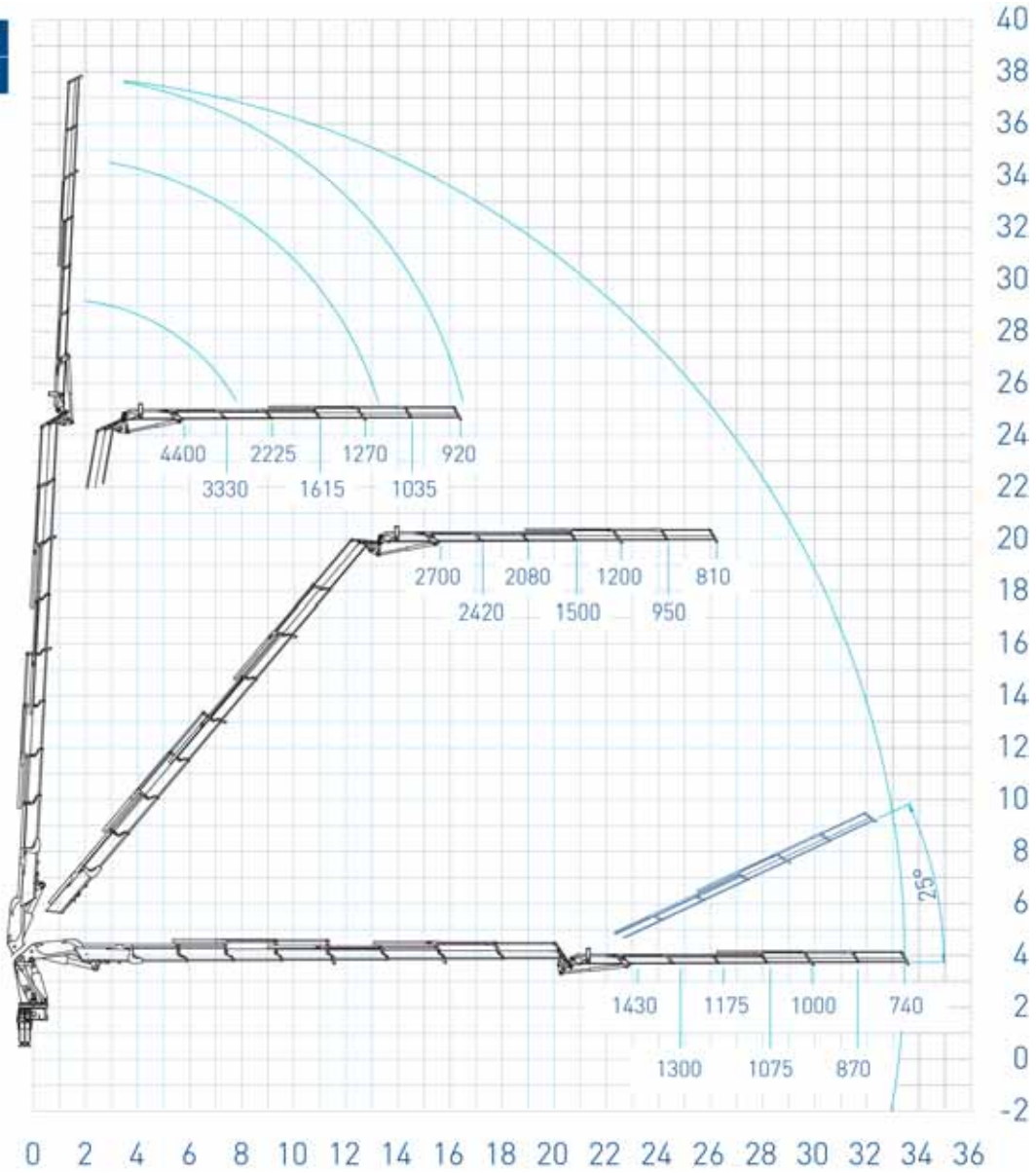
With Jib

100028 SP + J1614.25



100028 SP + J1616.25

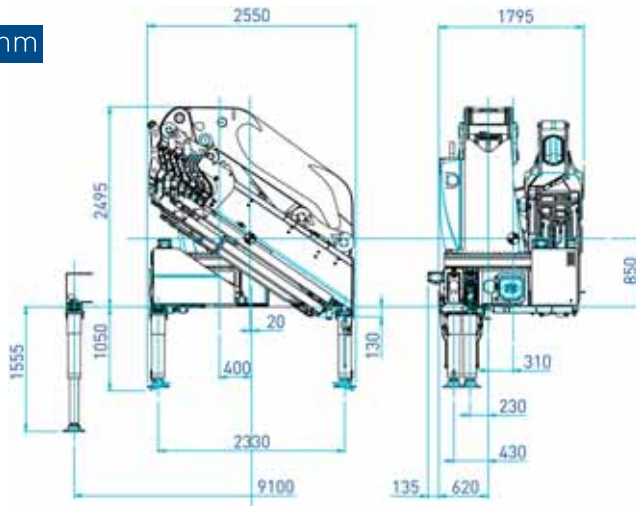
kg
m



Dimensions.

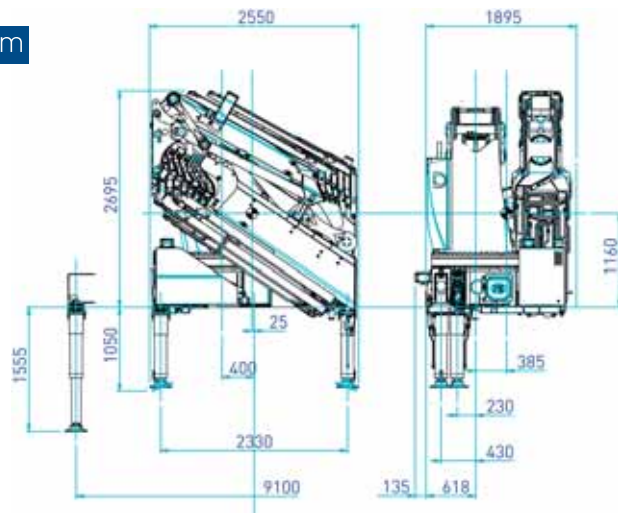
Standard Crane

mm

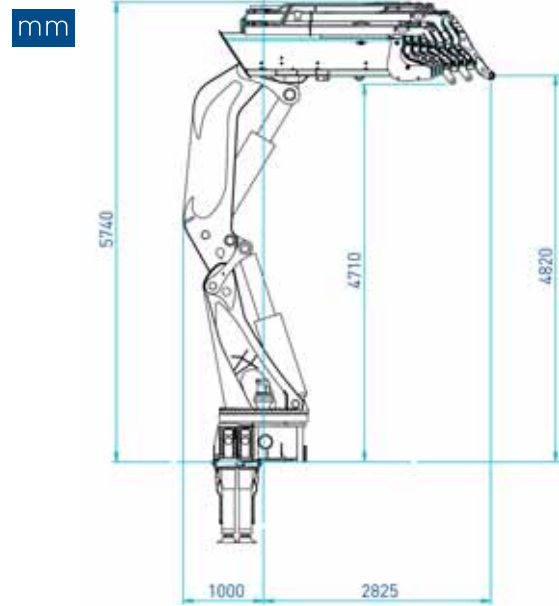
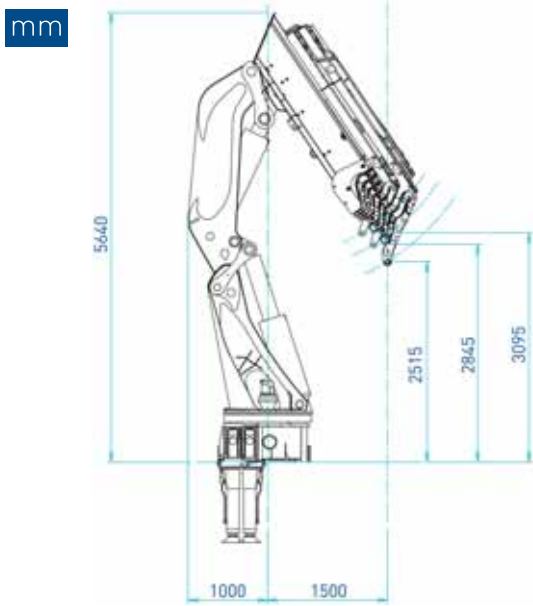


With Jib

mm



Working positions.



1000 SFD

Technical information.

		100024	100026	100028	100029	100026 +J1614.25	100026 +J1616.25	100028 +J1614.25	100028 +J1616.25
Maximum lifting moment	tm	84,0	81,1	79,7	79,0	-	-	-	-
Hydraulic outreach									
Horizontal	m	11,56	15,82	20,51	22,71	25,50	29,00	30,05	33,55
Vertical	m	15,65	19,85	24,50	29,70	29,35	32,85	33,85	37,35
Hydraulic system									
Recommended oil flow	l/min	110	110	110	110	110	110	110	110
Maximum pressure	MPa	35	35	35	35	35	35	35	35
Oil Tank capacity	l	290	290	290	290	290	290	290	290
Slewing system									
Slewing angle	°	Cont.	Cont.	Cont.	Cont.	Cont.	Cont.	Cont.	Cont.
Slewing moment	kNm	82,0	82,0	82,0	82,0	82,0	82,0	82,0	82,0
Maximum working inclination	%(°)	8,7(5)	8,7(5)	8,7(5)	8,7(5)	0(0)	0(0)	0(0)	0(0)
Standard crane weight									
Without oil tank	kg	7615	8300	8900	9180	9500	9720	10120	10340



PM respects the environment.

Variable pump.

PM has chosen to supply this model along with a variable displacement pump in order to save the environment and improve the crane performance and productivity. Constantly optimising the necessary oil flow rate it reduces fuel consumption and emissions into the atmosphere cutting considerably fuel cost.

FEWER
EMISSIONS

LESS
CONSUMPTION

MORE
SAVING

Use of trivalent chromium.

Treatment of galvanised parts with trivalent chromium in conformity to CE standard.

Water-painting system.

PM was one of the first companies to introduce painting cycles with water based paints replacing traditional solvent painting cycles. In addition to the painting technologies for finishing its products with minimal environmental impact, PM uses both single and twin-component resins and final coating with powder paints. The undercoat consists of water-soluble resins and corrosion-proof resins. It has reduced solvent content. Formulated with chromium and/or lead-free pigments, it is more convenient than traditional solvent undercoats. Water-painting finish in blue, orange and black. The first two consist of a single fired component and the third consists of two water-soluble resin-based acrylic components.



PM Service. Always where you are.



PM Customer Service.

Ensuring total customer satisfaction is the philosophy behind PM Customer Service.

PM supports his customers being always available and ready to listen to their particular needs. Rapidly getting to the heart of the problem is the spirit in which PM's specialized staff responds to his customer requests. PM's experts after sales service engineers are always there to handle any service job. With the experience and competence of people who have been working with PM cranes for several years, they provide the right answer or alert the nearest PM Service Centre.



PM After-Sales Service Network.

With 300 after-sales service centres, PM provides its customers with a comprehensive service in Italy and worldwide. Trusting the PM After-Sales Service Network means that original PM spare parts are always used to guarantee maximum crane performance. Specialised technical PM trainers visit the PM after-sales centres regularly in order to provide them with the support they need to ensure maximum customer satisfaction at all times.

PM Original Spare Parts.

PM takes the same care in the production of spare parts as it takes over the design and manufacturing of the cranes. Only in this way PM ensure that the crane keeps its reliability and superior quality. PM original spare parts are produced with the highest quality standards and are designed to meet exactly PM crane specifications and safety features. PM cranes are famous for their high safety standards. In order to maintain this level, PM's designers recommend only original PM spare parts for repairs and maintenance. PM original spare parts are the only ones ensuring your crane with the same performance as the initial one.



